

**Anyang STH Seris**

# **Self-contained Hammer**

**Anyang ST Catalog Introduction**

2025-MARCH

# ANYANG ST POWER HAMMERS



Anyang ST is *self-contained* power hammer, no external air compressor needed.



Anyang ST *long ram design*, allow installing DIY tools and avoid upper key destroy the cylinder.



**Schneider Electric** is standard configuration ensures the safe operation of the machines.



**Wider die, powerful, better control, and low noise, and easy to maintain etc.**

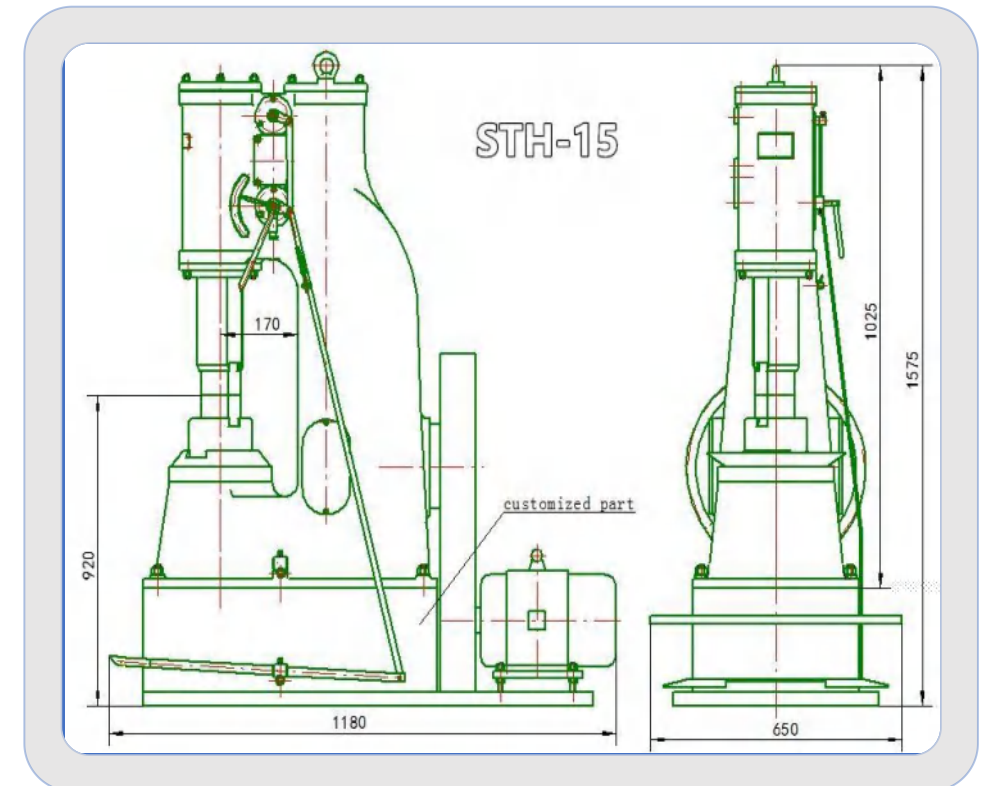




# STH-15

STH-15 power hammer is a versatile tool used in blacksmithing and metalworking for shaping and forging metal. especially liked by **blacksmithing beginner, knife maker, wrought iron crafter** etc.

ITEMS	VALUE
WEIGHT OF FALLING PART	16 KGS
NO. OF BLOWS PER MIN	300
STROKE	160MM
TUP AXIS TO FRAME	170MM
DIE FACE SIZE	70*50MM
MAX. ROUND BAR CAPACITY	35MM
FLOOR SPACE	L.1180MM*W.650MM
HEIGHT	1575MM
WEIGHT	540 KGS
MOTOR	SINGLE PHASE 2.2KW 200-240V



# Features



## Soft

it's falling weight only 15kgs, so every blow is very soft for the metals, but it still can make the forming quickly with 300 times /min working frequency.

## Small

Overall dimension only 1180\*650\*1575mm, that will save much space for your blacksmithing shop.

The compact design only 1030\*650\*1575mm.

## Motor

200-240V single phase 50/60hz single phase.

## Portable

The hammer with lift ring and forklift holes and only 540kgs to make it very easy to move.



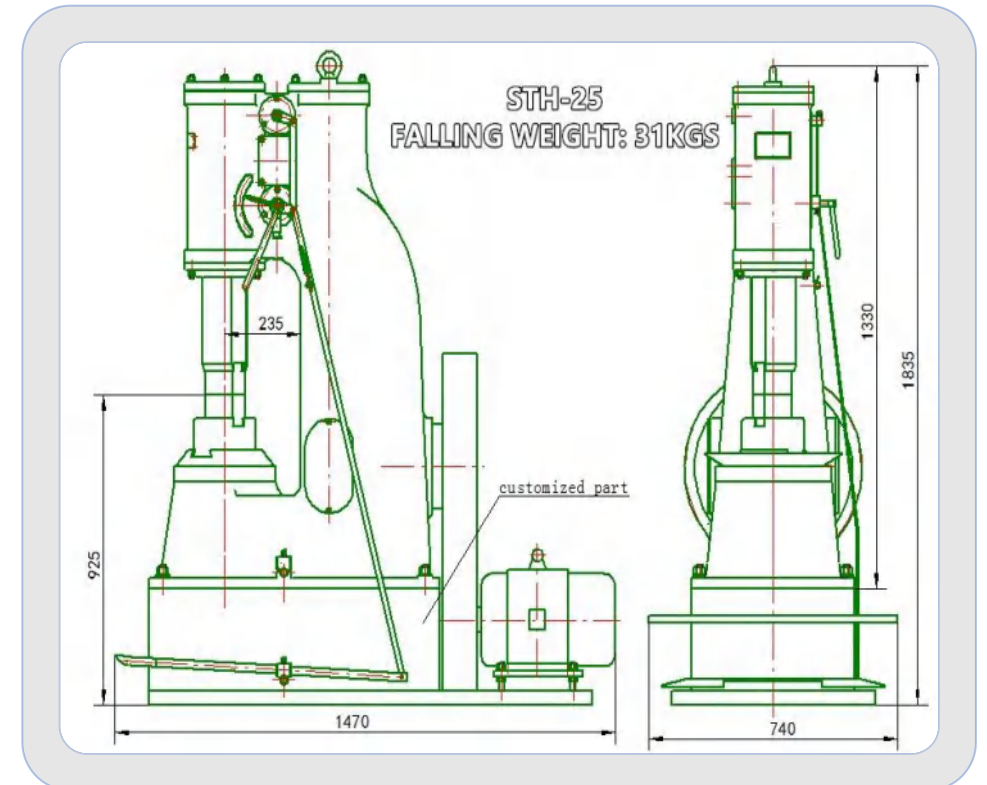




# STH-25

STH-25 power hammer falling weight upto 31kgs, two times of the STH-15. So this hammer with wide working range, liked by sword maker, Artistic Metalwork, etc who need a powerful, reliable tool for heavy-duty forging tasks.

ITEMS	VALUE
WEIGHT OF FALLING PART	31 KGS
NO. OF BLOWS PER MIN	250
STROKE	240MM
TUP AXIS TO FRAME	235MM
DIE FACE SIZE	100*70MM
MAX. ROUND BAR CAPACITY	50MM
FLOOR SPACE	L.1470MM*W.740MM
HEIGHT	1835MM
WEIGHT	1050 KGS
MOTOR	THREE PHASE 3.0KW 200-240V & 380-440V



# 单击此处添加标题

## 01 High force

Capable of handling large and thick metal pieces with ease.

## 04 Controlling

The controlling is very good to make soft blow or heavy forging by padel.



## 02 Efficiency

Reduces the time and effort required for heavy forging tasks.

## 03 Versatility

Suitable for a wide range of forging applications.



Anyang ST

Anyang ST

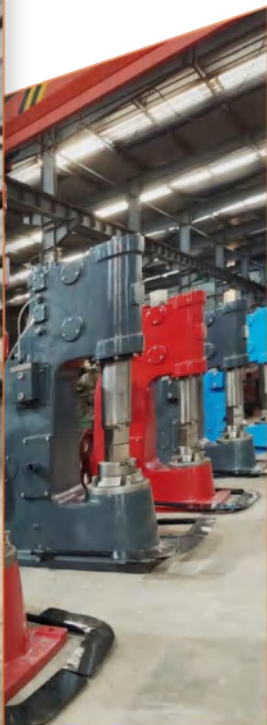


Anyang ST

Anyang ST



Anyang ST



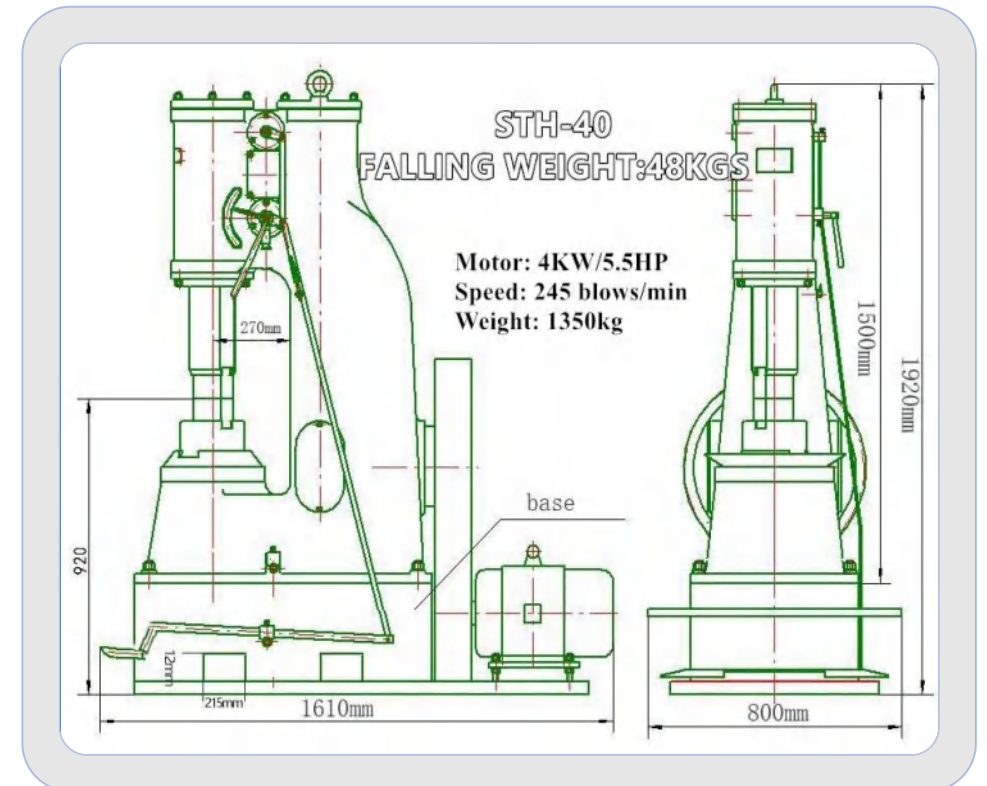
Anyang ST



# STH-40

STH-40 power hammer falling weight upto 48kgs, this hammer is the most welcomed size. This model is capable of any hot forging job, such as **wrought iron, sword maker, axe maker, damascus knife maker, hammer&tong maker** etc.

ITEMS	VALUE
WEIGHT OF FALLING PART	48 KGS
NO. OF BLOWS PER MIN	245
STROKE	250MM
TUP AXIS TO FRAME	270MM
DIE FACE SIZE	120*80MM
MAX. ROUND BAR CAPACITY	80MM
FLOOR SPACE	L.1610MM*W.800MM
HEIGHT	1920MM
WEIGHT	1450 KGS
MOTOR	THREE PHASE 4.0KW 200-240V & 380-440V



48kgs ram weight can bring powerful below.

**P** Powerful

**W** Wide Range

STH-40 can make wide range forging works of various kinds hot pieces.

**C** Colorful

Free to customize painting color service.



**A** Affordable

Anyang STH-40 power hammer with very affordable price can accept by most the blacksmiths.

**L** Longer Ram

Longer ram design all install DIY die tool on the flat die by bolts.





# Works on STH-40

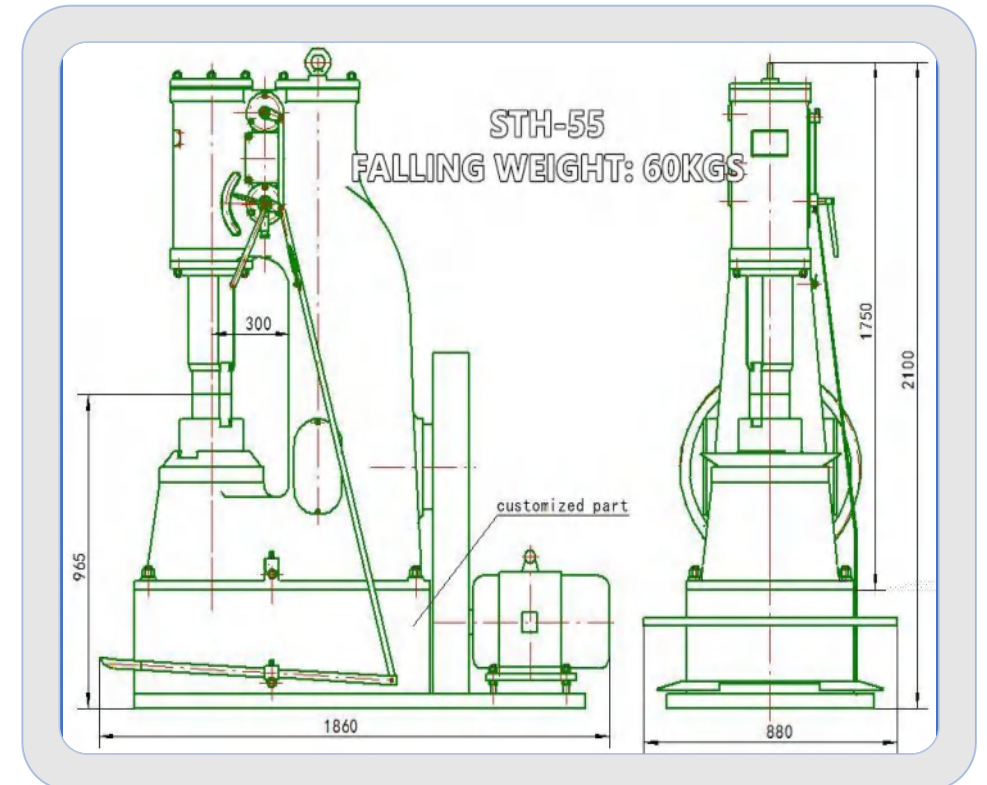




# STH-55

STH-55 power hammer had step to be big hammer group, the 60kg falling weight can bring terrible blow, Max. working piece upto 90mm. stand on the base with hole easy to move.

ITEMS	VALUE
WEIGHT OF FALLING PART	60 KGS
NO. OF BLOWS PER MIN	230
STROKE	270MM
TUP AXIS TO FRAME	300MM
DIE FACE SIZE	135*90MM
MAX. ROUND BAR CAPACITY	90MM
FLOOR SPACE	L.1860MM*W.880MM
HEIGHT	2100MM
WEIGHT	1900 KGS
MOTOR	THREE PHASE 7.5KW 200-240V & 380-440V





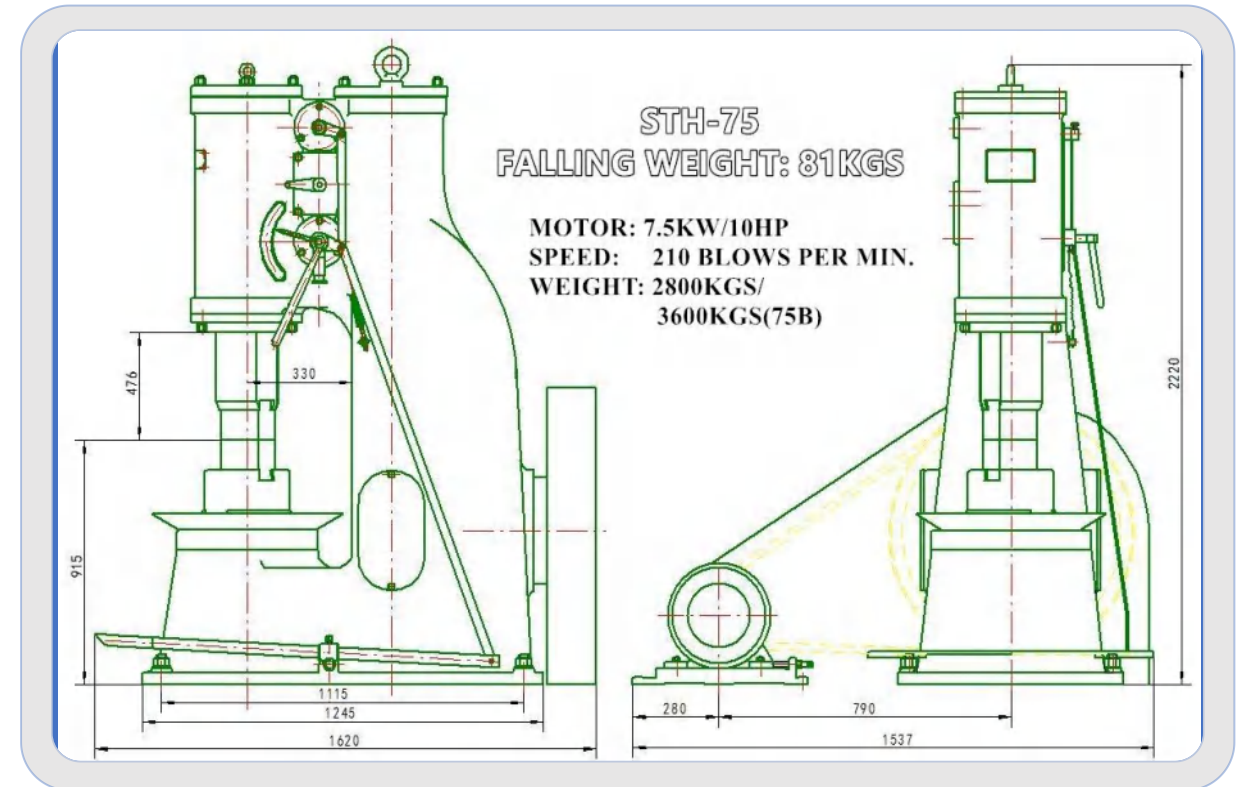




# STH-75

STH-75 power hammer is designed for heavy blacksmithing, such as wrought iron door, stair guardrail, furniture etc Construction and decoration industries, axes, hammers, big sword, damascus steel etc.

ITEMS	VALUE
WEIGHT OF FALLING PART	81 KGS
NO. OF BLOWS PER MIN	210
STROKE	475MM
TUP AXIS TO FRAME	330MM
DIE FACE SIZE	145*100MM
MAX. ROUND BAR PACITY	100MM
FLOOR SPACE	L.1800MM*W.1750MM
HEIGHT	2200MM
WEIGHT	2800 KGS
MOTOR	THREE PHASE 7.5KW 200-240V & 380-440V



**STH-75B make a independent heavy anvil part**

**increase 800kgs base on  
the one piece design.**















# FEATURES

Anyang ST power hammer advantages than others.

---

# Solid Frame Casting

frame casting weight rise 30% than others







# Long Ram Design



Easy to change dies



Avoid key damage stuffing box



upper die allow install tool



one key fit all dies

# Schneider Electronics CE CERTIFICATION





**Safenet Certification Services Ltd.**  
Ducart Suite, Castletroy Park Campus, Limerick, V94 Y6FD, Ireland  
Tel: +353 61 50 2040 e-mail: info@safenetcs.ie Website: www.safenetcs.ie

**EC Examination Certificate**

This is to certify that

**Henan Gengwei Trading Co., Ltd.**  
No. 68, Renmin Road, Beiguan District, Anyang, China

Has had a range of Pneumatic Hammers examined to the Machinery Directive 2006/42/EC, as amended and the Low Voltage Directive 2014/35/EU.

With reference to model **STH-40**

Manufactured by:  
**Anyang ST Forging Machinery Manufacture Co., Ltd.**  
100 meters south of the cross of Zhonghua Road and Chuangye Road, Beiguan District, Anyang, China

1. The technical file contains all the relevant information.
2. Having verified that the appropriate tests have been conducted.
  - 2.1. The standards and transposed standards have been applied correctly.
  - 2.2. The example representing series production of the item, complies with the essential health and safety requirements of the Directive 2006/42/EC, as amended.
  - 2.3. The technical file contains all the information to include the following models in the certification STH-15, STH-25, STH-40, STH-55, STH-75, STH-110, STH-150 and STH-250.
  - 2.4. Compliance with EN 60204-1:2018 gives compliance with the Low Voltage Directive 2014/35/EU.

Certificate Number: 3000050721  
Date of Issue: 21/07/2021

Signed for Safenet Certification Services Ltd.  
  
Peter McNicol  
Technical Manager







This Document remains the property of Safenet Certification Services Ltd. and will be returned to them if so requested. The client is required to request a review to ensure compliance of the machinery on a 5 yearly basis to check for changes in the state of the art and validity of the certificate.



# Moulding Dies



CrNiMo moulding steel



Hardness HRC 50±2



CNC machined



1# Drawing Die



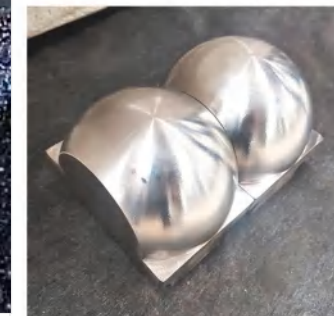
2# Fullering Die



3# Comb Drawing/Flat



4# Comb Fullering/Flat



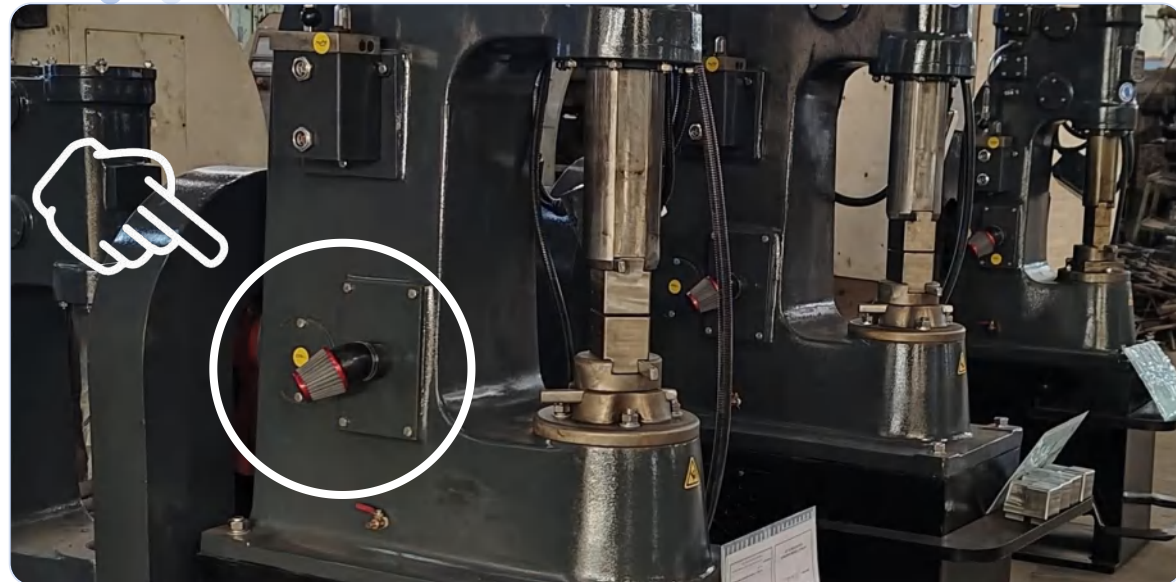
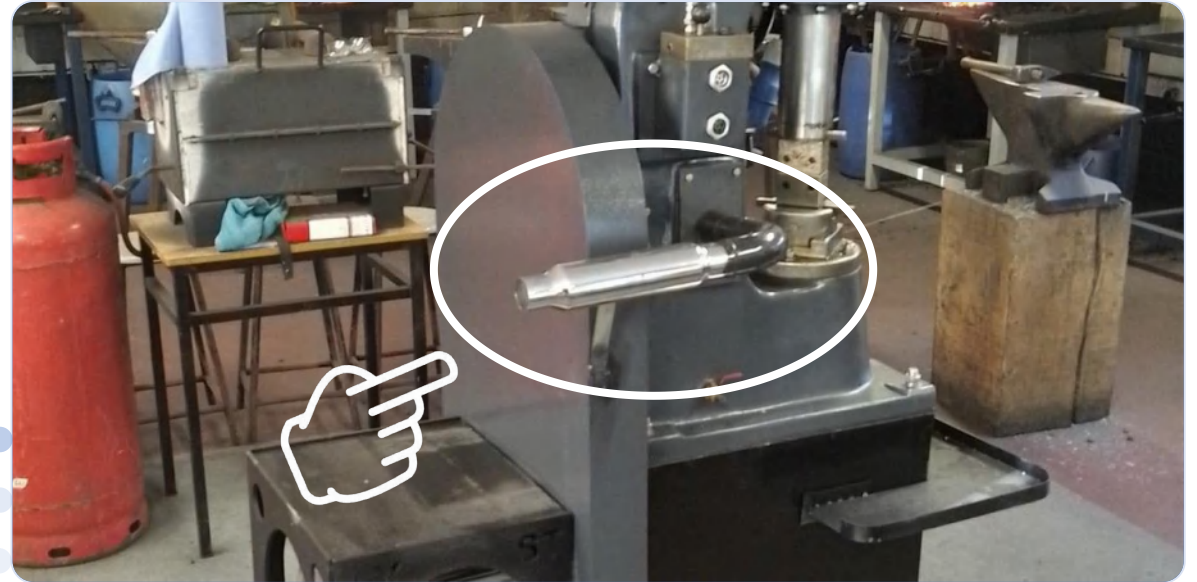
5# Crown Die



6# Heavy Fullering Die

# Improve air quality

Anyang ST move the breathing port from back to the side of the hammer, this will help to install a filter or connect a pipe out of the shop, *reduce the oil content in the air and reduce noise.*





# customized color in free



Anyang ST will supply the customized painting service in free, buyer can choose any color from the picture or supply the RAL color No.



# Feedback of Users

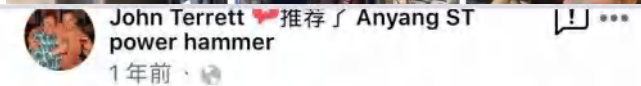


Bought this bad boy from [Derek Melton](#) Friday. I had to break my kids piggy banks open but I am glad I did. This machine is amazing. Looking forward to working with it.

It was an experience getting it to the shop. Blew a tire due to the constant construction on hwy 49.. luckily just a few hundred feet from a tire repair shop. Crazy thing I was less than five minutes from my house. Tire was replaced relatively quickly and I was able to get it home safe and sound.

Happy camper. Thanks again Derek for spending so much time showing me the ins and out of the hammer and showing me those sweet tire hammers.

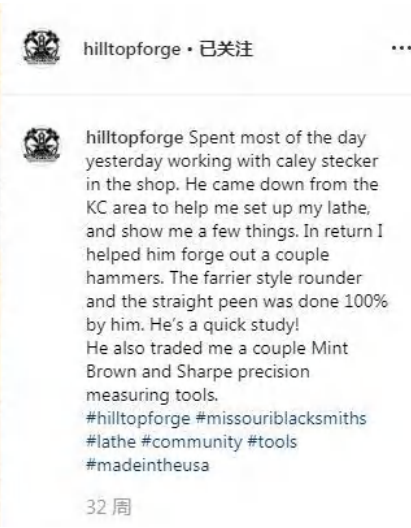
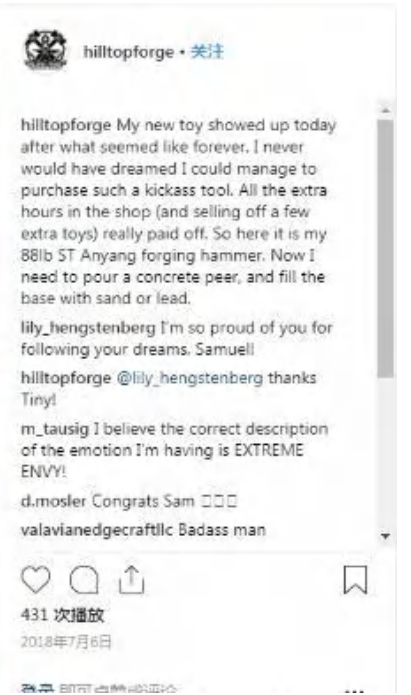
The new to me 88 is in place. Big thanks to [William Taylor](#) and [Dustin Julio Hearst](#) for making this happen. Dustin did a ton of work to help us both today. I've got a bit of work to get it bolted down and the shop rearranged but it's gonna be worth it. For what it's worth, we practiced social distancing during the process until this pic, I had one chance to make this happen and today had to be that day. 😊



I bought a 25kg hammer from ST in 2018. It arrived here in France safely well packed in a create. After using the hammer for many hours I can recommend ST. The hammer is well built and has good control also comes with a well written instruction manual.

Brilliant communication from Fei, he was nothing but helpful.

I also purchased 3 sets of dies, again they have been used extensively now with no marking. Well done ST, I wish you good luck in the future.





# Simple Maintenance

01

## Lubrication

All hammers with automatic oiler, please make sure there is enough oil in the tank before run the hammer.

02

## Fasten

To check all bolts and keys are tightening every days before run the hammers.

03

## Grease

Anyang ST set grease zerk on the bearings, replenish every 3 months.



## Dealers / distributor

Anyang ST have dealers in USA, UK, JAPAN, AUSTRALIA, NORWAY, SWEDEN etc countries.

They can supply excellent local service for the regional buyers.

also welcome partners join Anyang ST in other countries.



**GLOBAL**



# How to find us



## Website

[Http:www.anyangst.com](http://www.anyangst.com)

Email: [sales@anyangst.com](mailto:sales@anyangst.com)

---



## Address

Anyang, Henan, China

---



## Telephone

+86-16603726612

---